



Atlantic Metal
Roofing Product LLC

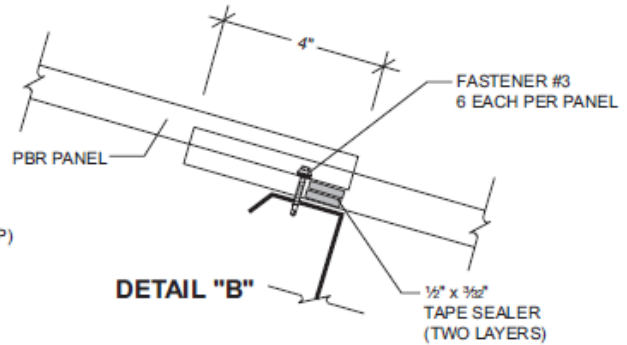
PBR PANEL ATTACHMENT

1/4" - 14 X 7/8 LONG- LIFE LAPTEK
WWASHER (FASTENER #4)
@ 20" O.C.

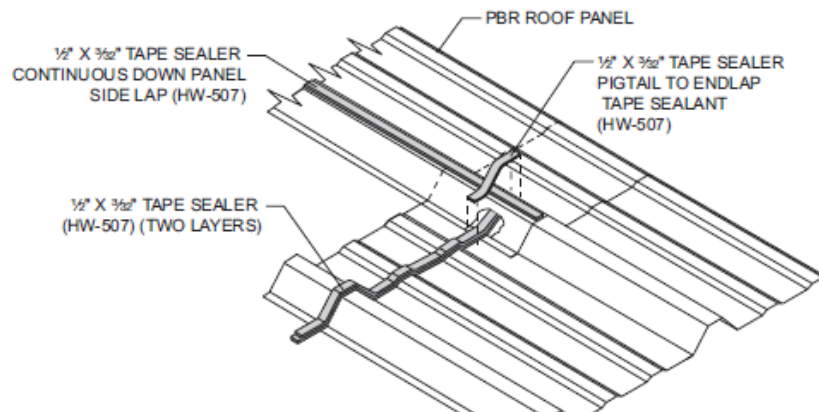
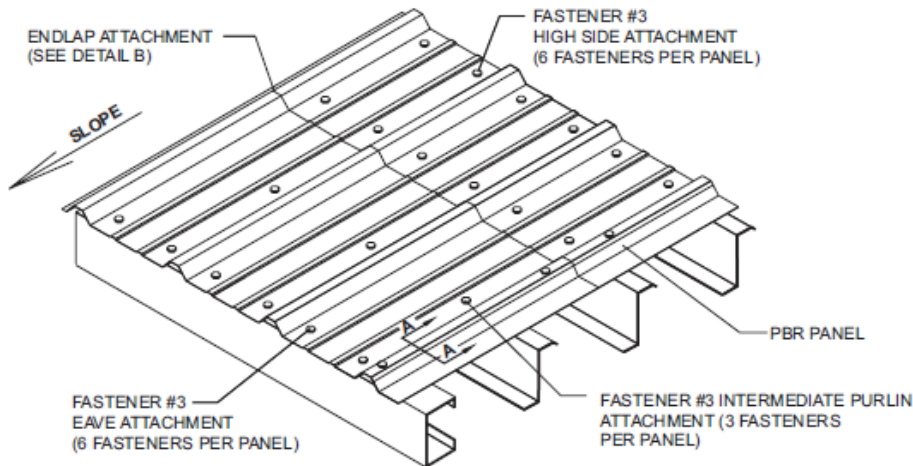
1/2" X 3/32" TAPE SEALER
PIGTAIL TO ENDLAP

1/2" X 3/32" TAPE SEALER
(CONTINUOUS @ ENDLAP)

DETAIL "A"

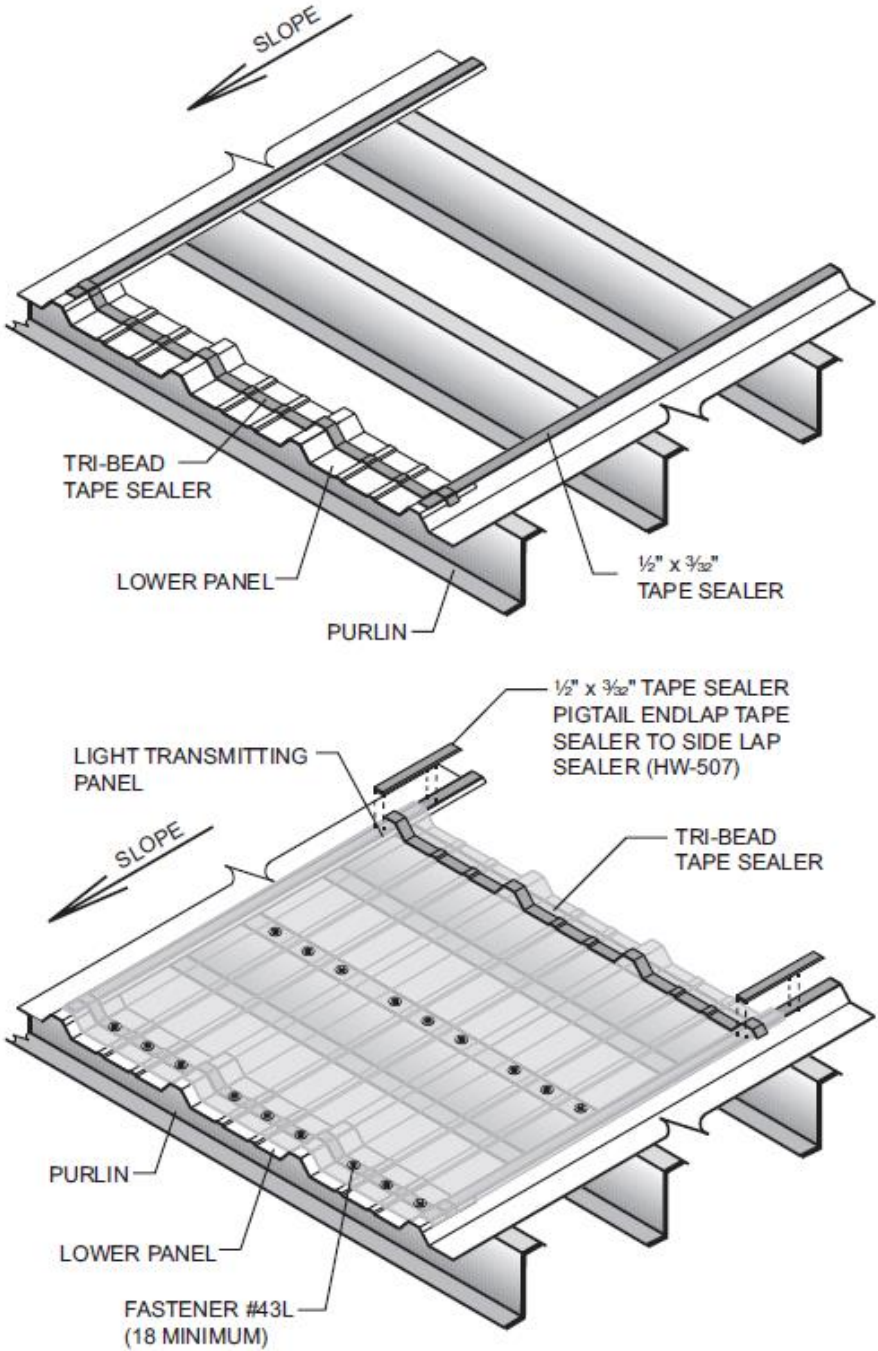


DETAIL "B"



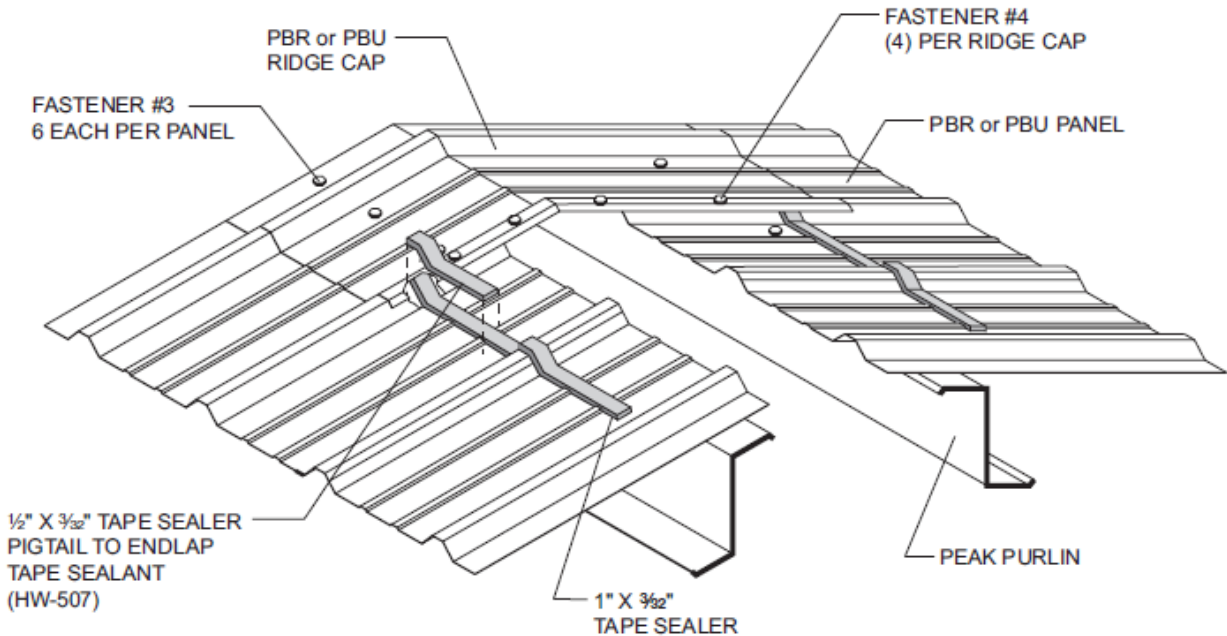
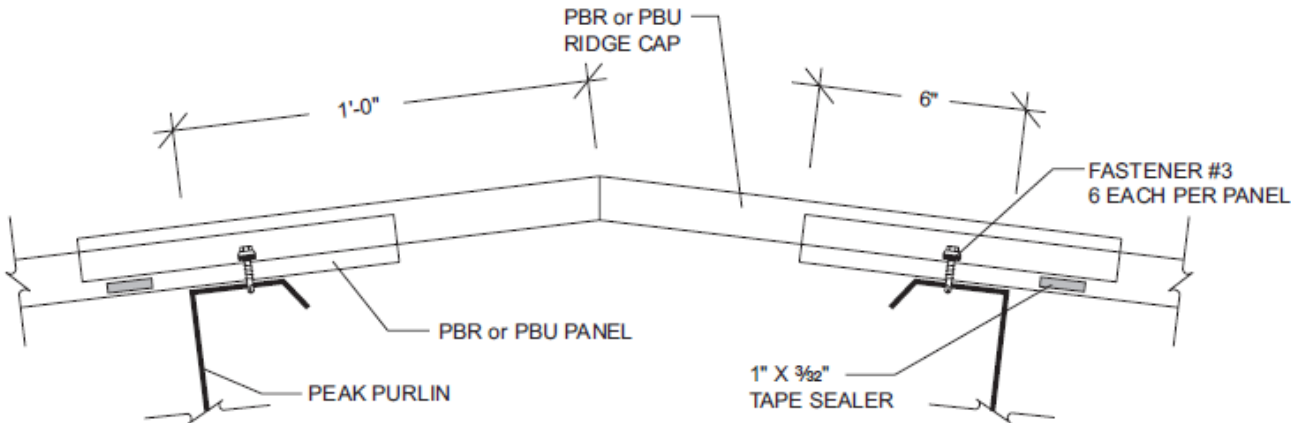


Atlantic Metal
Roofing Product LLC





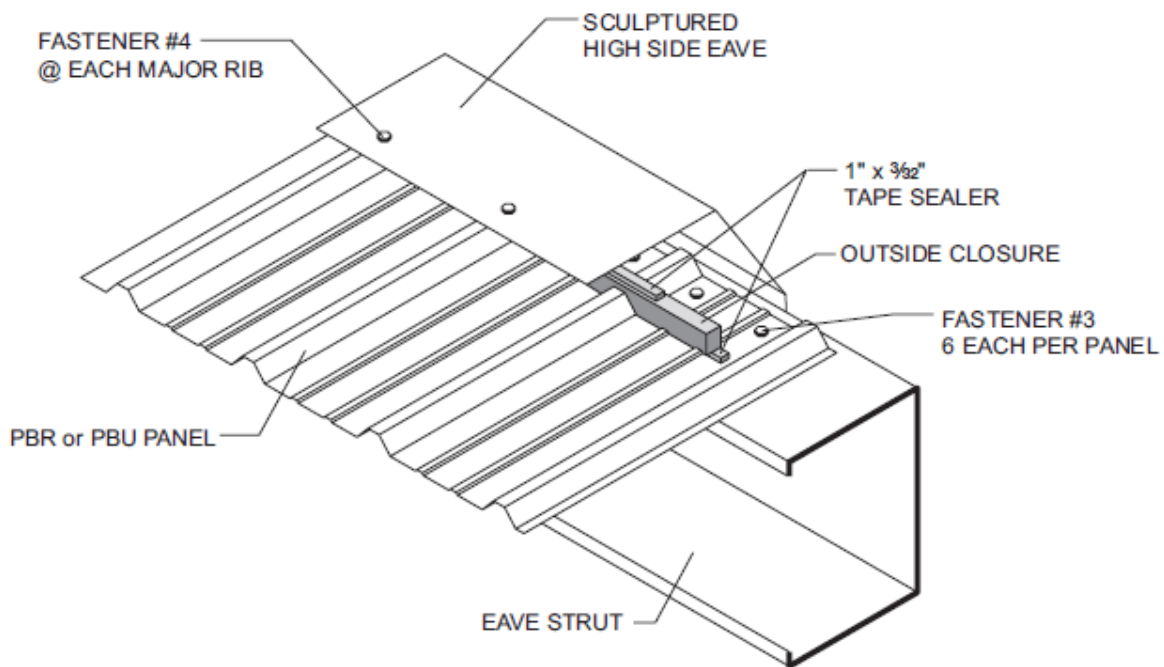
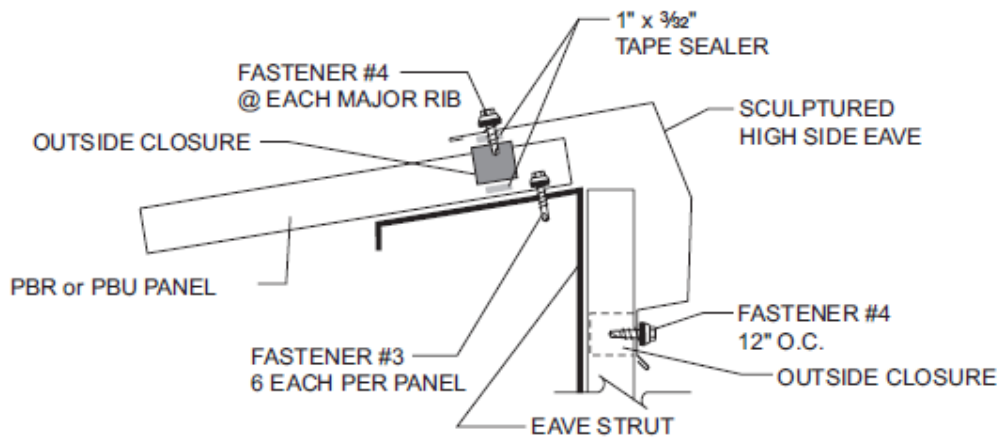
TYPICAL DETAILS
Ridge





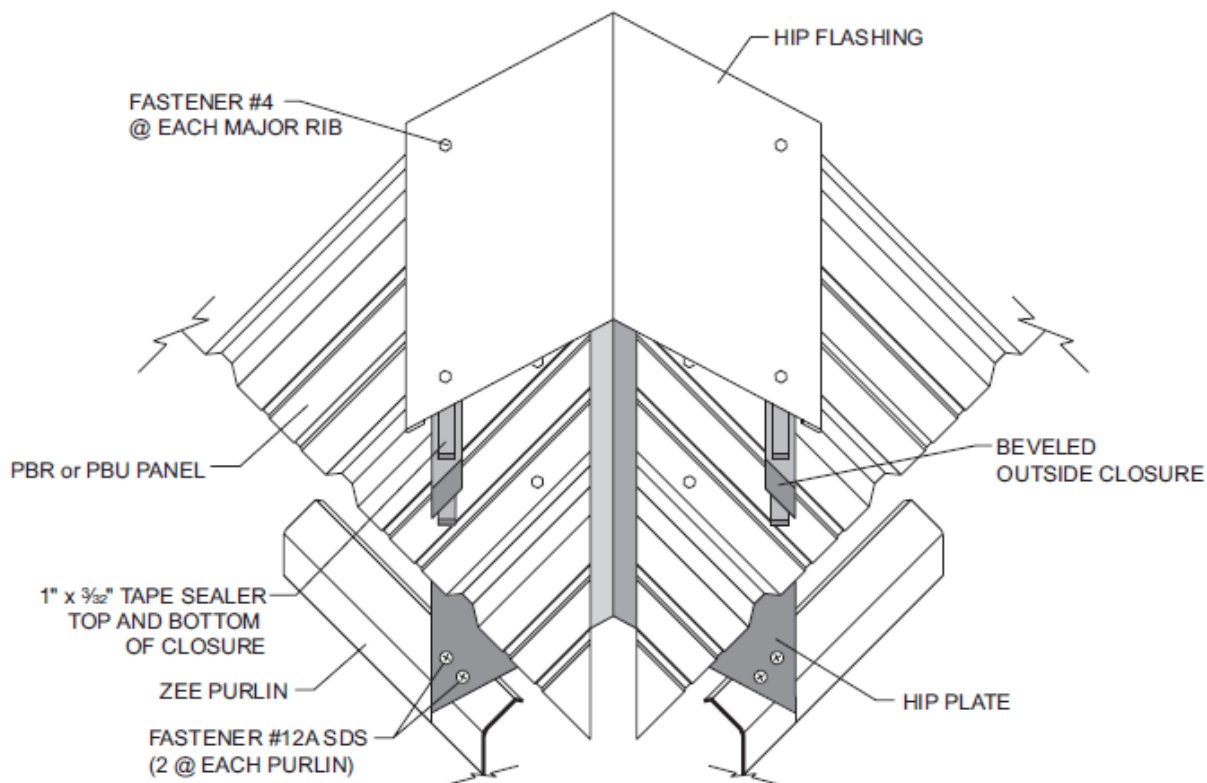
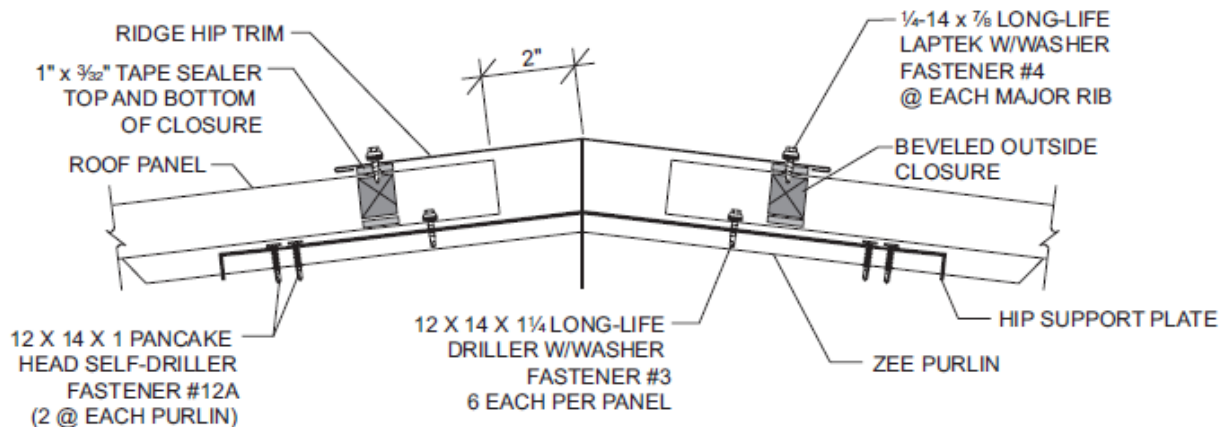
Atlantic Metal
Roofing Product LLC

TYPICAL DETAILS High Side Eave



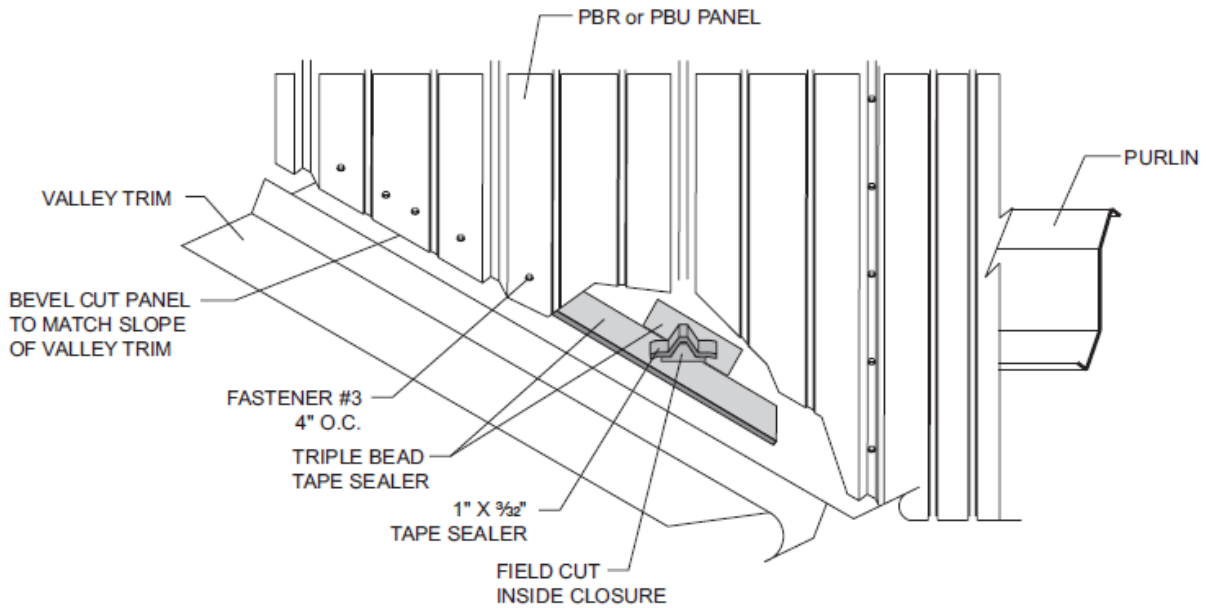
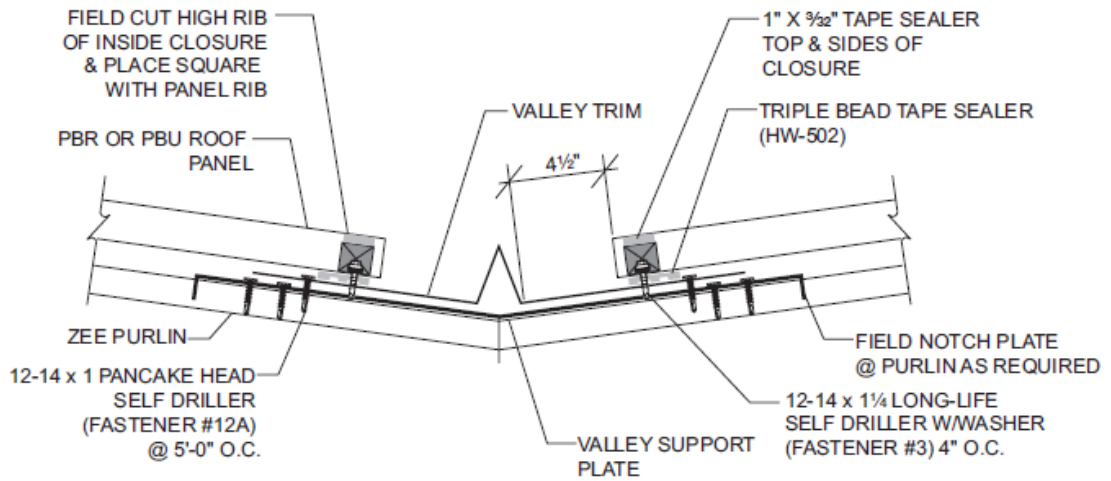


TYPICAL DETAILS
Hip



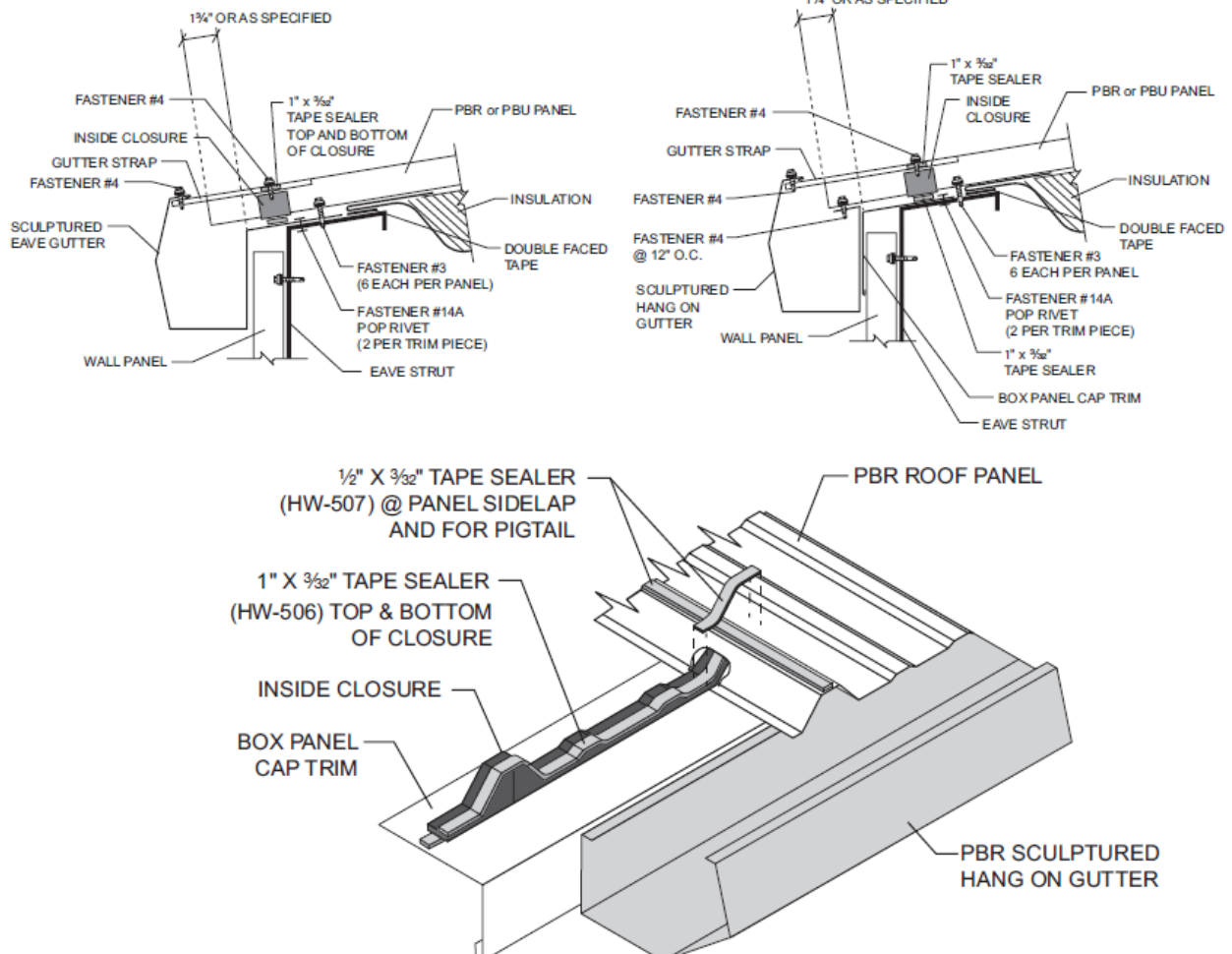


TYPICAL DETAILS
Valley



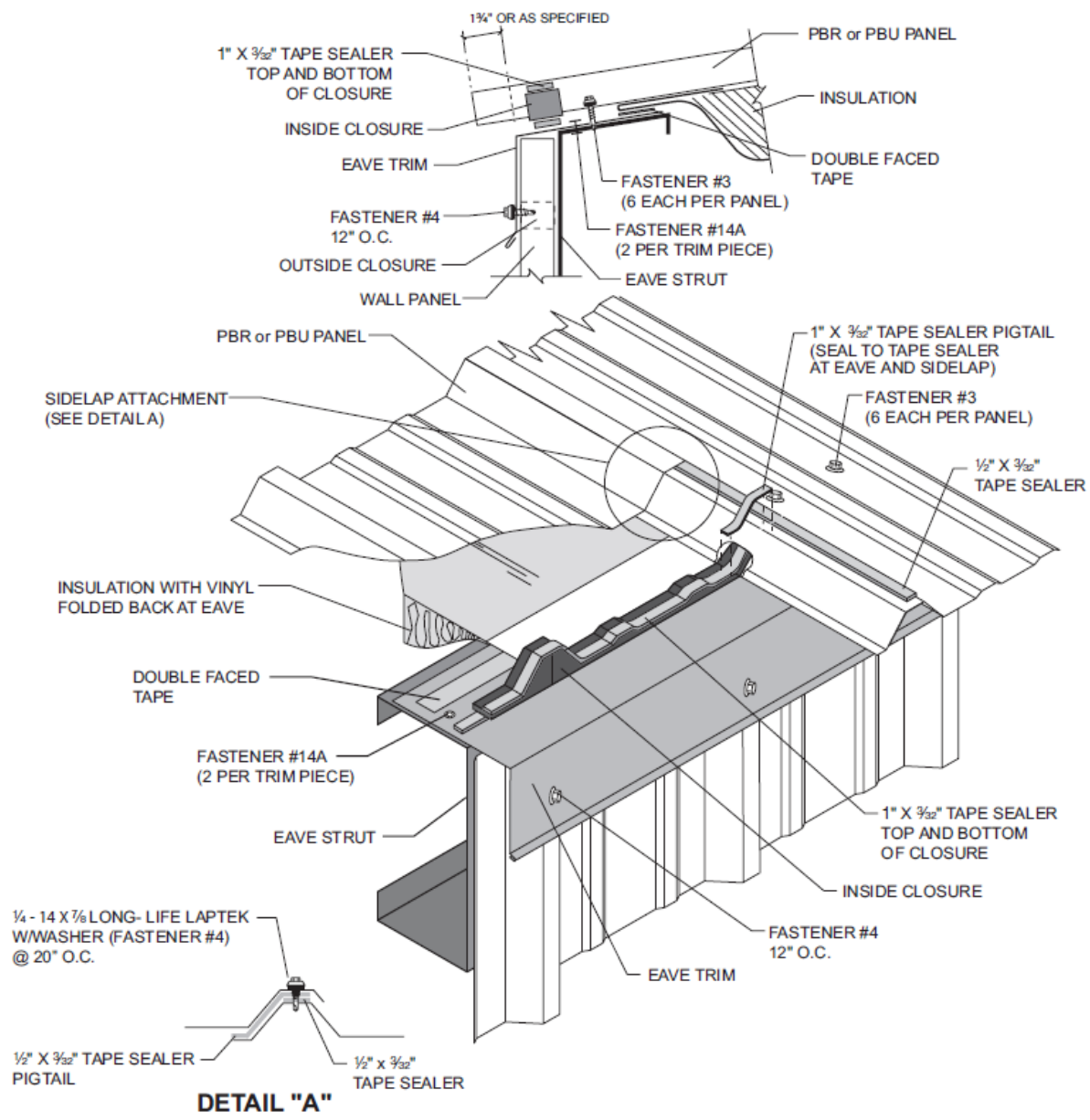


TYPICAL DETAILS
Gutter





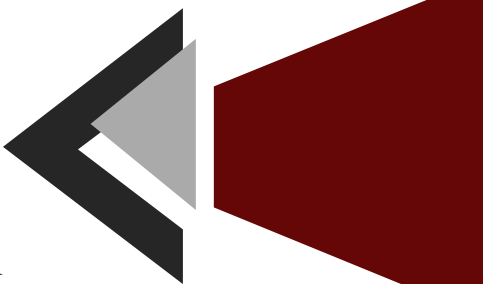
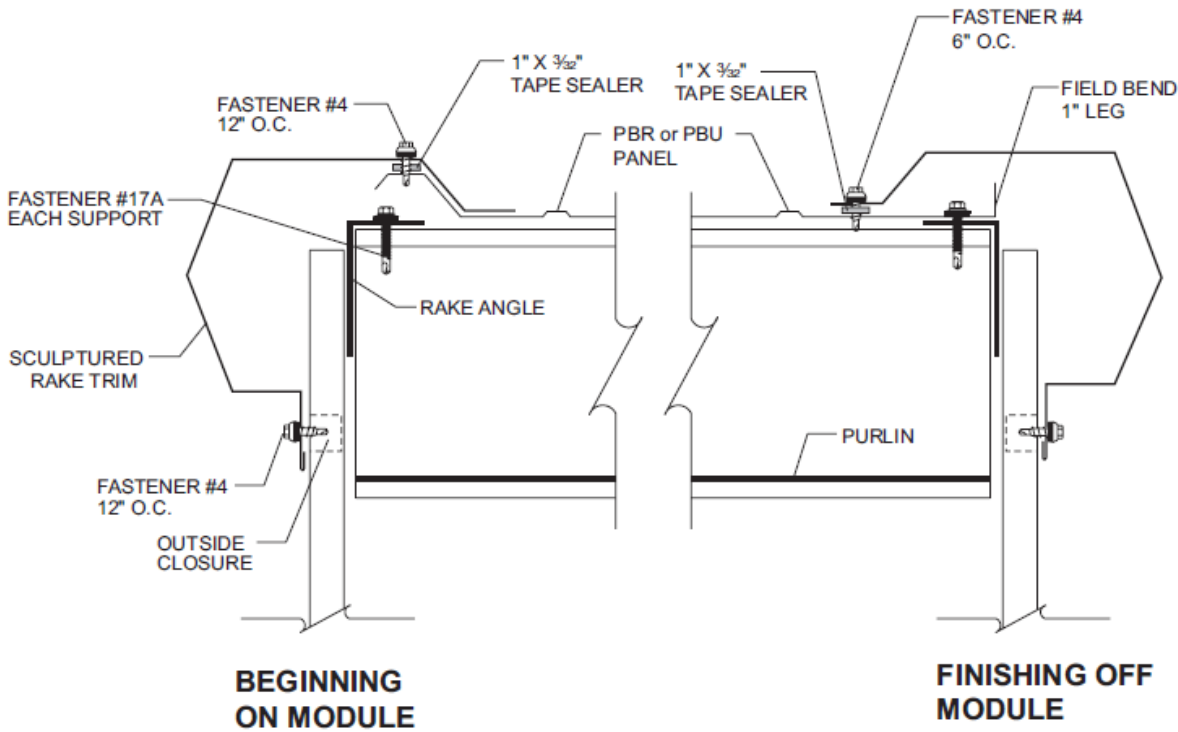
TYPICAL DETAILS
Eave Trim





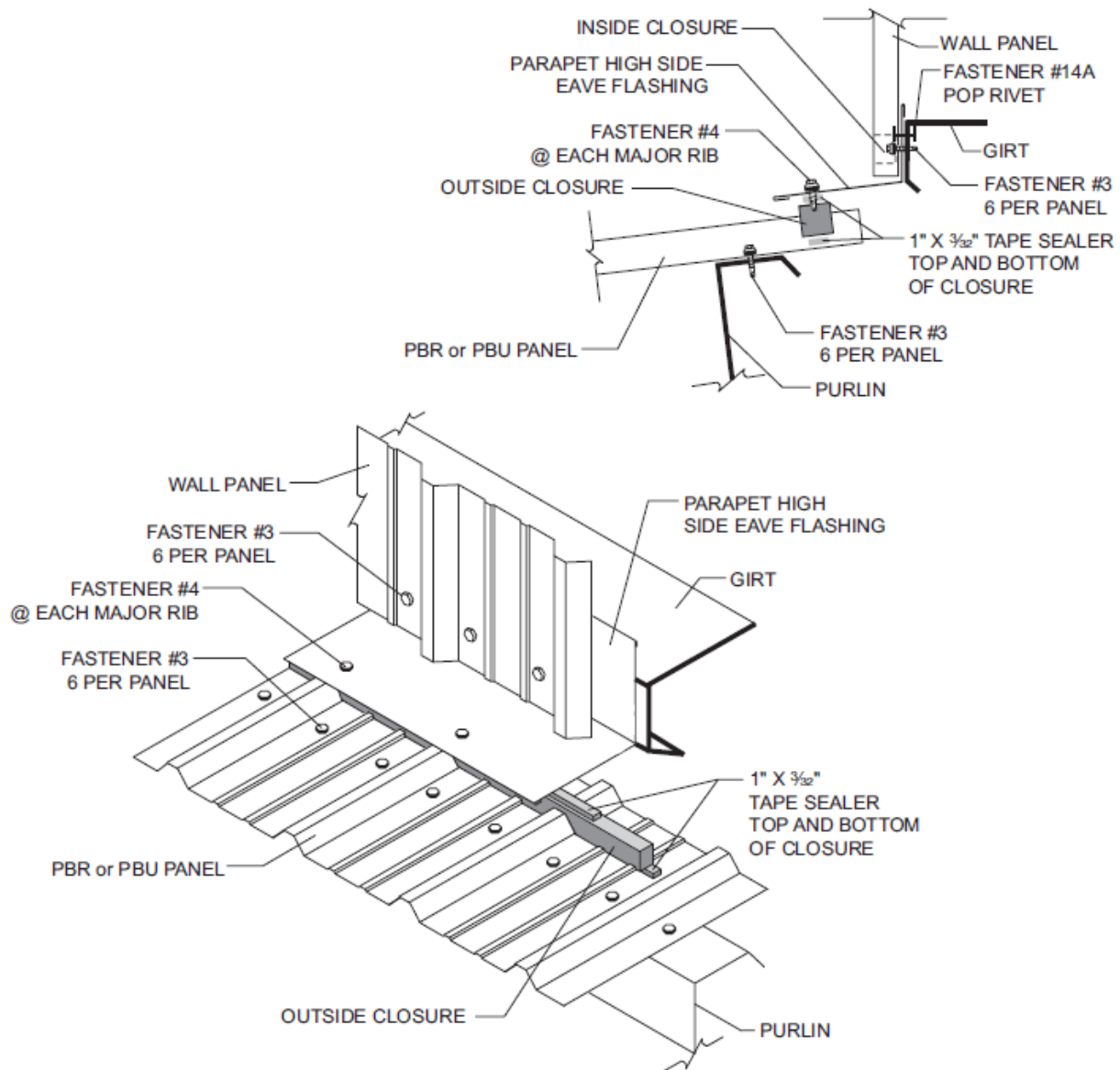
Atlantic Metal Roofing Product LLC

TYPICAL DETAILS
Rake



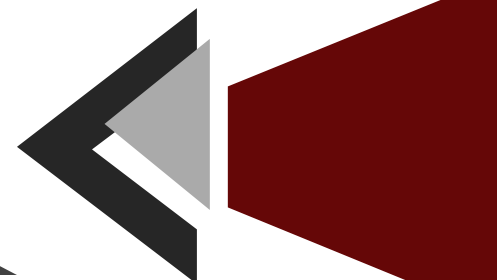
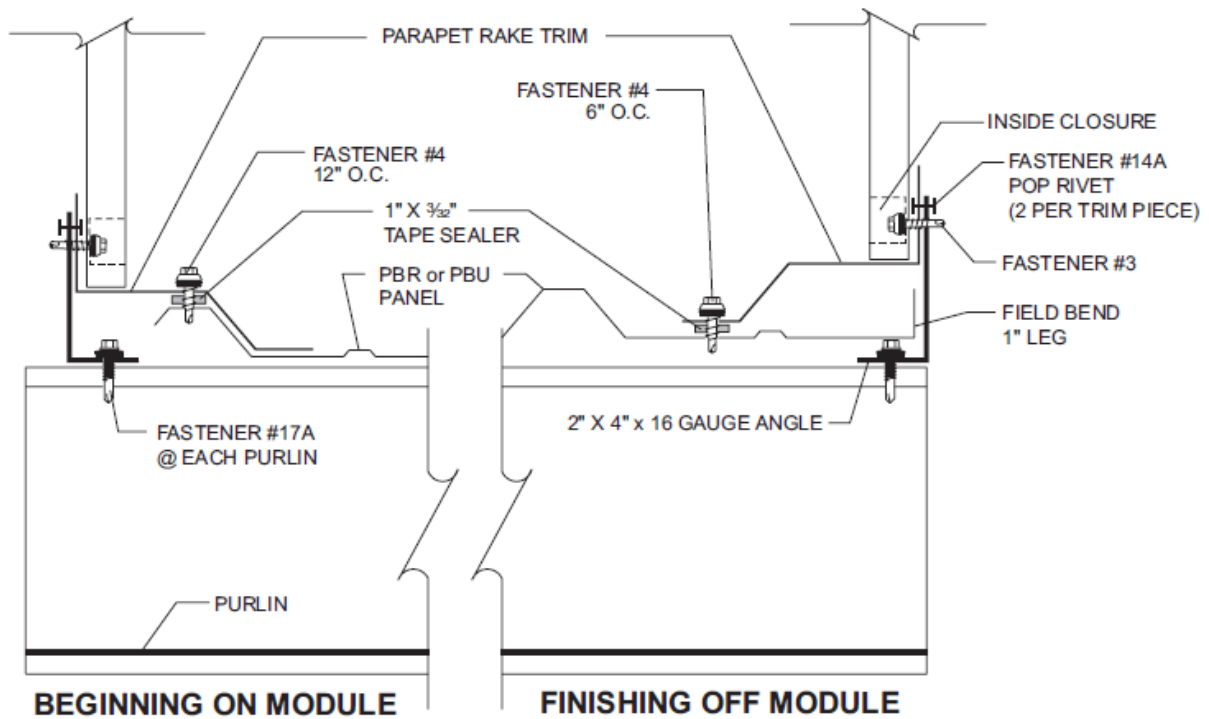


TYPICAL DETAILS Parapet High Side Eave





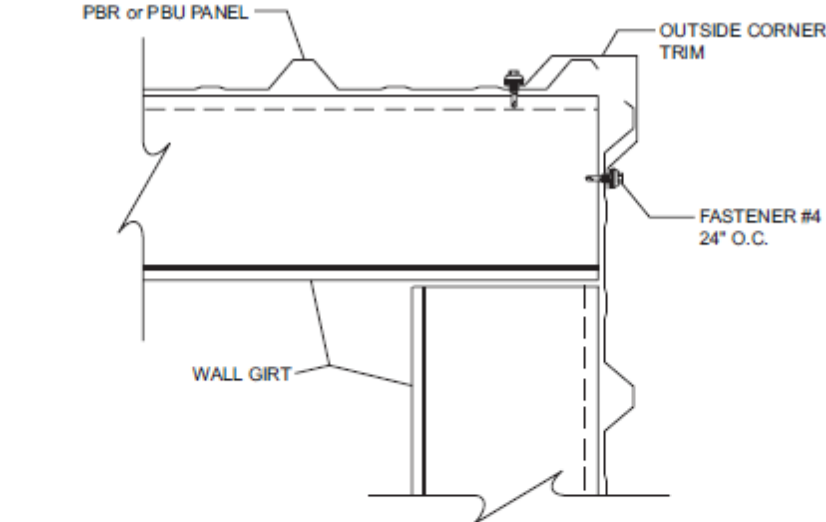
TYPICAL DETAILS
Parapet Rake



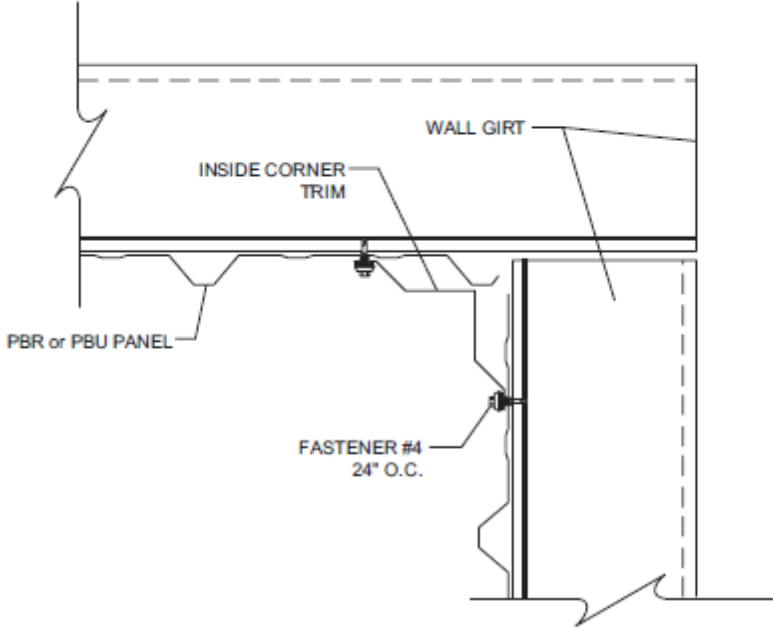


Atlantic Metal
Roofing Product LLC

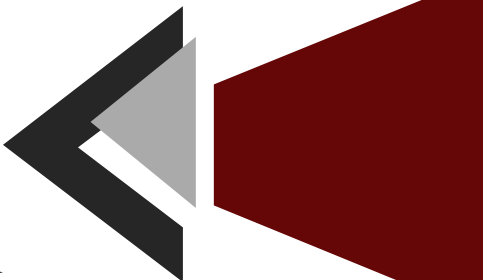
**TYPICAL DETAILS
Corner**



OUTSIDE CORNER DETAIL



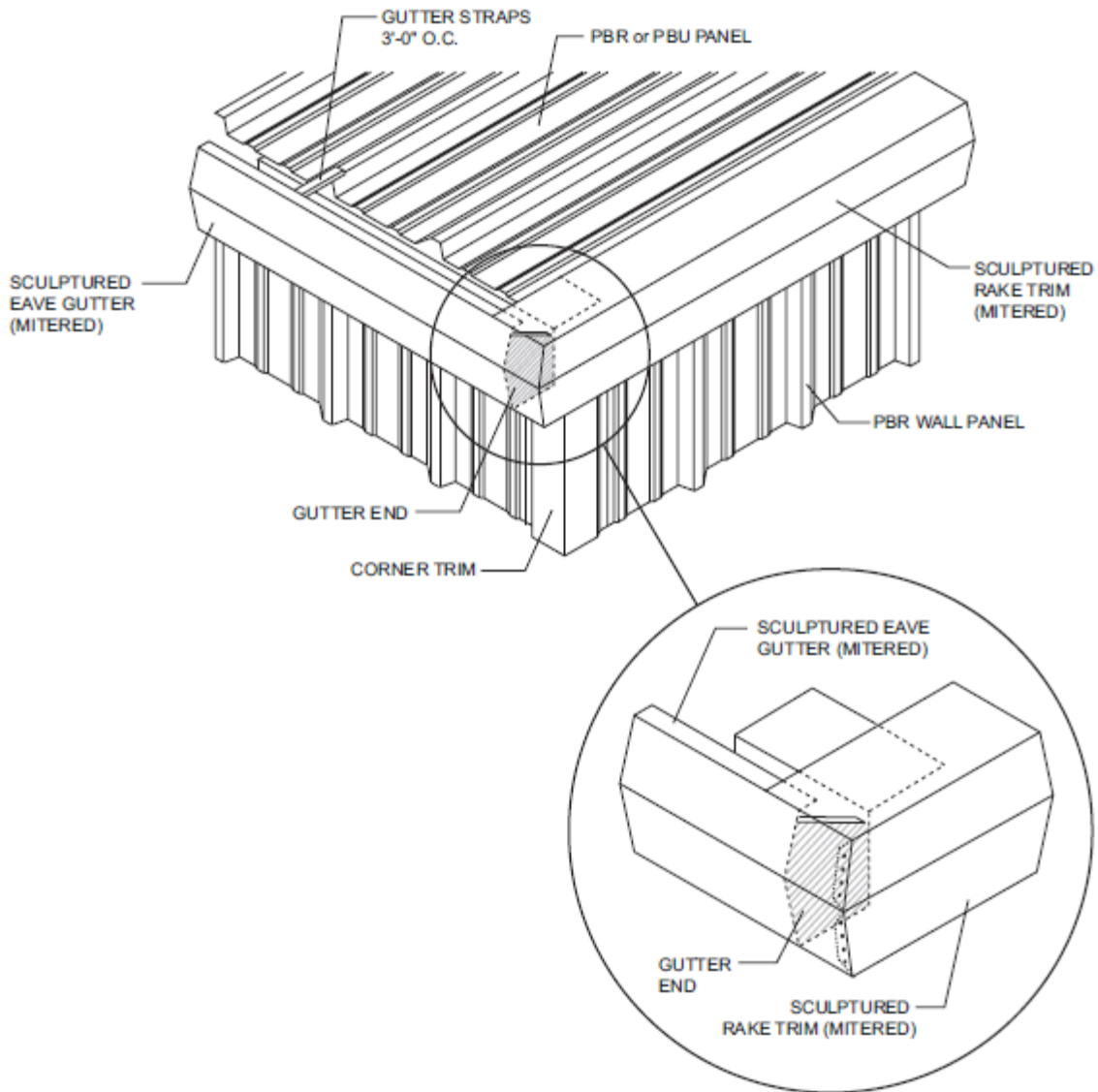
INSIDE CORNER DETAIL





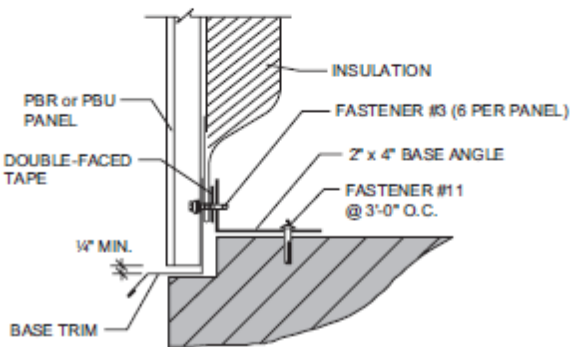
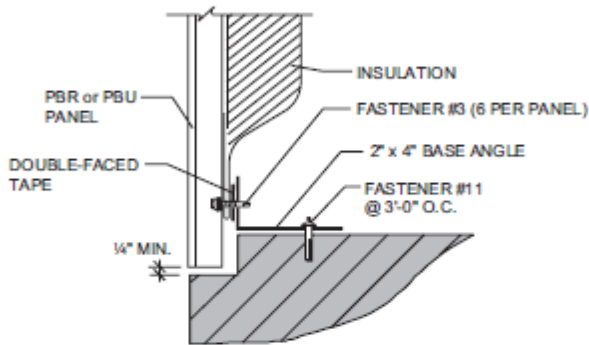
Atlantic Metal
Roofing Product LLC

TYPICAL DETAILS
Corner Box





**TYPICAL DETAILS
Base**



**TYPICAL DETAILS
Head Jamb**

