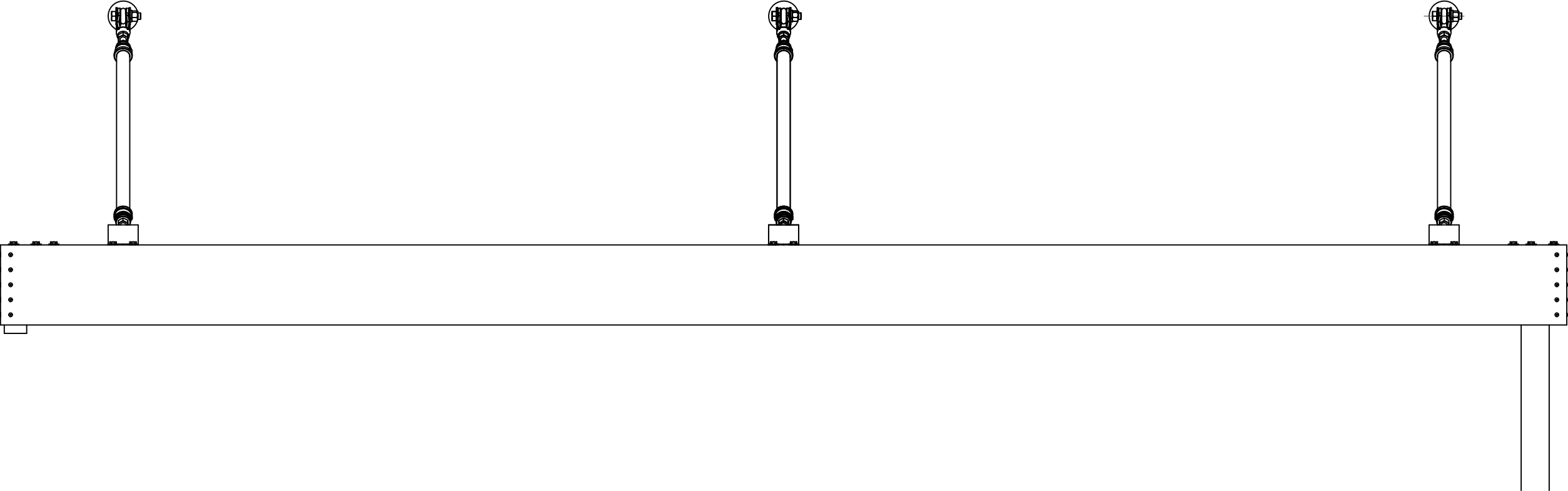


A2024 - SUPER FLAT SOFFIT CANOPY (ROD)

Atlantic CANOPIES / Levittown, PA



Architect: PAUL DIETZ, III P.E.

Drawn: 05/31/2023 BJW

*Atlantic
Architectural
Canopies*

300 Penn Ave
Levittown, PA. 19057
Ph: (215) 942-4643
Fx: (215) 942-4643
info@metalbends.com

Proposed for:
Atlantic Metal
Roofing Product
Levittown, PA

Job Name:
SUPER FLAT SOFFIT CANOPY
(ROD)

PO # dtd
MQ # Rep:

A2024

sheet:

01

1 of 6

General Notes:

1. Atlantic ARCHITECTURAL CANOPIES REQUIRES ONE (1) SET OF CORRECTED DRAWINGS TO REVISE APPROVAL DRAWINGS, OR AN APPROVED SET OF DRAWINGS IN ORDER TO FABRICATE ORDER
2. ORDERS REQUIRING ENGINEERING WILL "ONLY" BE FABRICATED "AFTER" DRAWINGS ARE APPROVED
3. VERIFY ALL CANOPY AND FIELD DIMENSIONS PRIOR TO RELEASING FOR FABRICATION
4. ALL ORDERS NOT APPROVED FOR PRODUCTION WITHIN 90 DAYS OF PURCHASE ORDER ARE SUBJECT TO A REVIEW OF PRICING
5. ALL FASTENER HOLES NOT OTHERWISE NOTED ARE TO BE FIELD DRILLED
6. ALL FASTENERS NOT OTHERWISE NOTED ARE STAINLESS STEEL OR ALUMINUM
7. ADEQUACY OF WALL AND BUILDING STRUCTURE MUST BE CERTIFIED BY BUILDINGS ENGINEER OF RECORD
8. WALL SYSTEMS W/ EIFS, BRICK VENEER OR METAL PANEL EXTERIOR DESIGN TYPICALLY REQUIRE COMPRESSION SPACERS TO PREVENT CRUSHING, SUPPLIED BY Atlantic
9. IF NEEDED, Atlantic SUPPLIES 1026 DOM TUBING FOR COMPRESSION SPACERS. THE TUBING WILL BE SUPPLIED IN 24" LENGTHS TO BE CUT DOWN IN THE FIELD AS NEEDED. ENOUGH TUBING WILL BE SENT FOR 6" PER ANCHOR POINT UNLESS OTHERWISE NOTED. IT'S INTENT IS ONLY TO SPAN THROUGH ANY NON-STRUCTURAL EXTERIOR CLADDING.
10. Atlantic SUPPLIES ALL HARDWARE NEEDED TO ANCHOR CANOPY TO STRUCTURE. ALL STRUCTURE BEARING LOAD OF CANOPY ANCHORS IS TO BE DESIGNED, ENGINEERED, AND SUPPLIED BY OTHERS.
11. OWNER'S ENGINEER SHALL CERTIFY AND SEAL BUILDING CONNECTION DETAILS AND ENSURE THAT STRUCTURE IS ADEQUATE TO SUPPORT THIS CANOPY

Project Notes:

1. SUPER FLAT SOFFIT CANOPY
2. 1" HANGER PIPE
3. FLAT SOFFIT DECKING (PERP)
4. 12" FASCIA
5. FASCIA DRAIN W/ DRAIN STUBS / REAR DRAINAGE W/ DOWNSPOUT

<i>Drawing Schedule</i>	
<i>Page #</i>	<i>Description</i>
01	Cover
02	General Information
03	Canopy Plan
04	Section AA
05	Section BB
06	Section CC

Design Notes:

1. FINISH SHALL BE BRONZE BAKED ENAMEL, WHITE BAKED ENAMEL OR CLEAR ANODIZED
2. FINISH SHALL BE POWDER COAT
3. FINISH SHALL BE TWO COAT KYNAR
4. COLOR SHALL BE CHOSEN FROM ATLANTIC METAL COLOR CHART
5. COUNTER FLASHING AND SEALANT, BY CANOPY INSTALLER
6. SURROUND WALL ANCHORS WITH WATER TIGHT SEALANT
7. EMBED ALL WALL ANCHOR WASHERS IN SEALANT TO PROVIDE WATERTIGHT SEAL AT WALL
8. TO ENSURE PROPER DRAINAGE, INSTALL CANOPY WITH POSITIVE CAMBER
9. FASCIA DRAIN W/ DRAIN STUBS / REAR DRAINAGE W/ DOWNSPOUT

Architect: PAUL DIETZ, III P.E.		
Drawn:	05/31/2023	

Atlantic Architectural Canopies

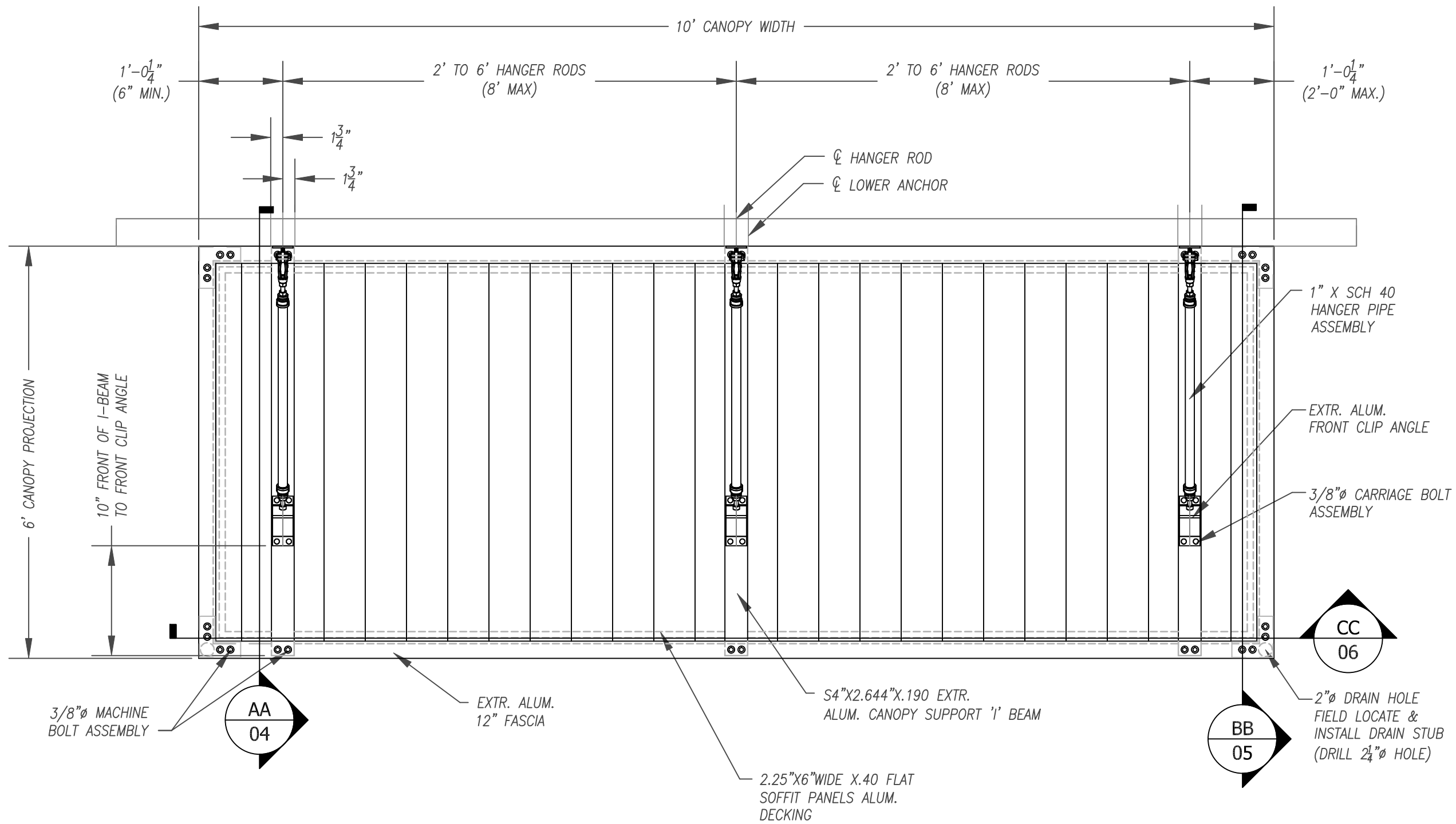
300 Penn Ave
 Levittown, PA. 19057
 Ph: (215) 942-4643
 Fx: (215) 942-4643
 info@metalbends.com

Proposed for:
 Atlantic Metal Roofing Product
 Levittown, PA

Job Name:
 SUPER FLAT SOFFIT CANOPY (ROD)

PO # dtd Rep:
 MQ #

A2024	sheet: 02
	2 of 6



1 CANOPY PLAN
Scale: 0'-0 3/4" = 1'-0"

Architect: PAUL DIETZ, III P.E.

Drawn: 05/31/2023 BJW

Atlantic
Architectural
Canopies

300 Penn Ave
Levittown, PA. 19057
Ph: (215) 942-4643
Fx: (215) 942-4643
info@metalbends.com

Proposed for:
Atlantic Metal
Roofing Product
Levittown, PA

Job Name:
SUPER FLAT SOFFIT CANOPY
(ROD)

PO # dtd
MQ # Rep:

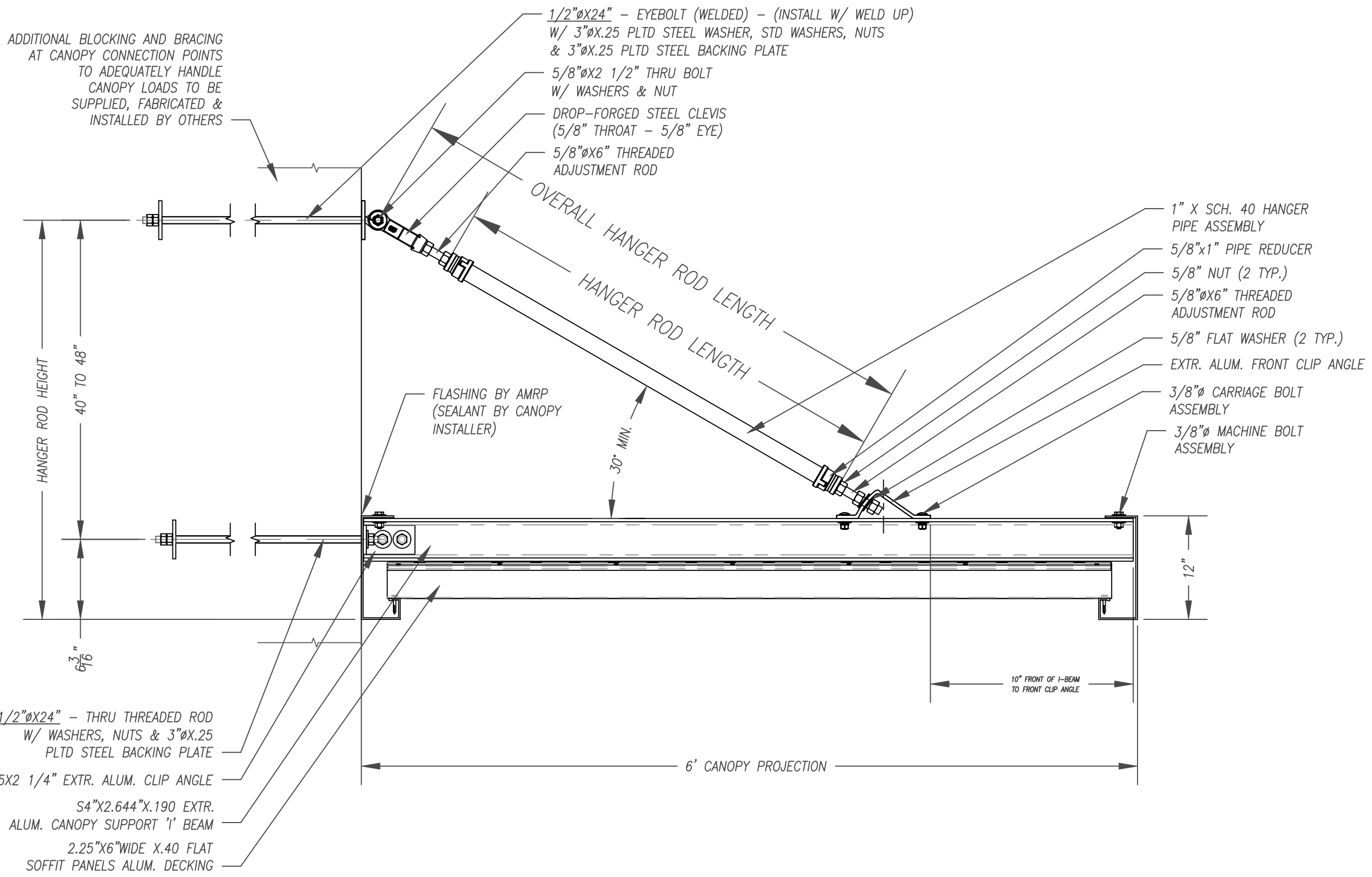
A2024

sheet:

03

0'-0 3/4" = 1'-0"

3 of 6



ADDITIONAL BLOCKING AND BRACING AT CANOPY CONNECTION POINTS TO ADEQUATELY HANDLE CANOPY LOADS TO BE SUPPLIED, FABRICATED & INSTALLED BY OTHERS

1/2"ØX24" - EYEBOLT (WELDED) - (INSTALL W/ WELD UP) W/ 3"ØX.25 PLTD STEEL WASHER, STD WASHERS, NUTS & 3"ØX.25 PLTD STEEL BACKING PLATE

5/8"ØX2 1/2" THRU BOLT W/ WASHERS & NUT

DROP-FORGED STEEL CLEVIS (5/8" THROAT - 5/8" EYE)

5/8"ØX6" THREADED ADJUSTMENT ROD

1" X SCH. 40 HANGER PIPE ASSEMBLY

5/8"x1" PIPE REDUCER

5/8" NUT (2 TYP.)

5/8"ØX6" THREADED ADJUSTMENT ROD

5/8" FLAT WASHER (2 TYP.)

EXTR. ALUM. FRONT CLIP ANGLE

3/8"Ø CARRIAGE BOLT ASSEMBLY

3/8"Ø MACHINE BOLT ASSEMBLY

FLASHING BY AMRP (SEALANT BY CANOPY INSTALLER)

30° MIN.

12"

10" FRONT OF I-BEAM TO FRONT CLIP ANGLE

6' CANOPY PROJECTION

1/2"ØX24" - THRU THREADED ROD W/ WASHERS, NUTS & 3"ØX.25 PLTD STEEL BACKING PLATE

3"X4"X.25X2 1/4" EXTR. ALUM. CLIP ANGLE

S4"X2.644"X.190 EXTR. ALUM. CANOPY SUPPORT 'I' BEAM

2.25"X6"WIDE X.40 FLAT SOFFIT PANELS ALUM. DECKING

AA

SECTION @ HANGER ROD

Scale: 0'-1 1/2" = 1'-0"

Architect: PAUL DIETZ, III P.E.

Drawn:	05/31/2023	BJW

Atlantic Architectural Canopies

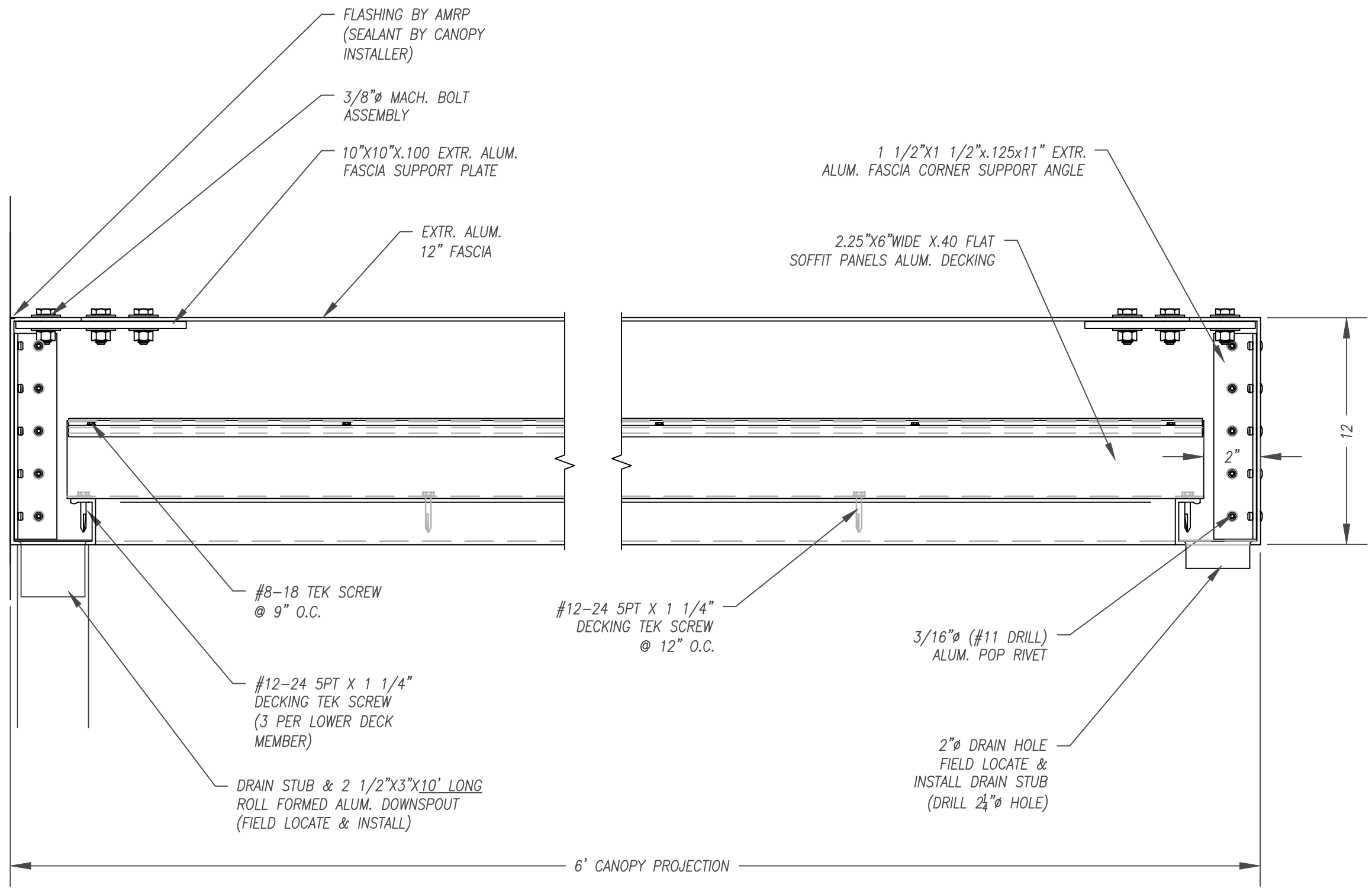
300 Penn Ave
Levittown, PA. 19057
Ph: (215) 942-4643
Fx: (215) 942-4643
info@metalbends.com

Proposed for:
Atlantic Metal Roofing Product
Levittown, PA

Job Name:
SUPER FLAT SOFFIT CANOPY (ROD)

PO # dtd
MQ # Rep:

A2024	sheet: 04
0'-1 1/2" = 1'-0"	4 of 6



Architect: PAUL DIETZ, III P.E.

Drawn: 05/31/2023 BJW

**Atlantic
Architectural
Canopies**

300 Penn Ave
Levittown, PA. 19057
Ph: (215) 942-4643
Fx: (215) 942-4643
info@metalbends.com

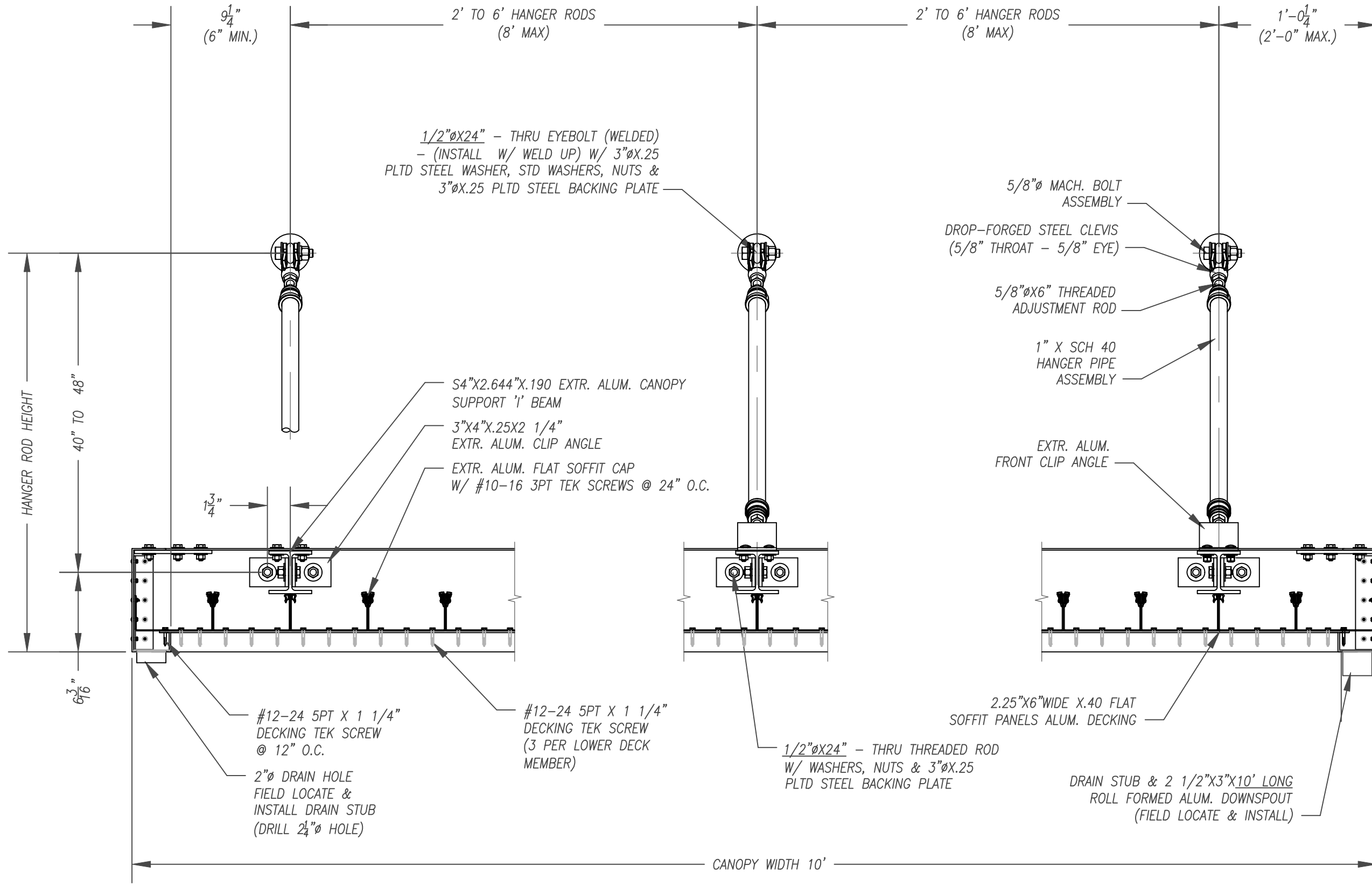
Proposed for:
Atlantic Metal
Roofing Product
Levittown, PA

Job Name:
SUPER FLAT SOFFIT CANOPY
(ROD)

PO # dtd
MQ # Rep:

A2024	sheet: 05
0'-3" = 1'-0"	5 of 6

BB SECTION @ END CANOPY
Scale: 0'-3" = 1'-0"



CC
TRANSVERSE SECTION
 Scale: 0'-1 1/2" = 1'-0"

Architect: PAUL DIETZ, III P.E.

Drawn: 05/31/2023 BJW

Atlantic
Architectural
Canopies

300 Penn Ave
 Levittown, PA 19057
 Ph: (215) 942-4643
 Fx: (215) 942-4643
 info@metalbends.com

Proposed for:
 Atlantic Metal
 Roofing Product
 Levittown, PA

Job Name:
 SUPER FLAT SOFFIT CANOPY
 (ROD)

PO # dtd
 MQ # Rep:

A2024	sheet: 06
0'-1 1/2" = 1'-0"	6 of 6