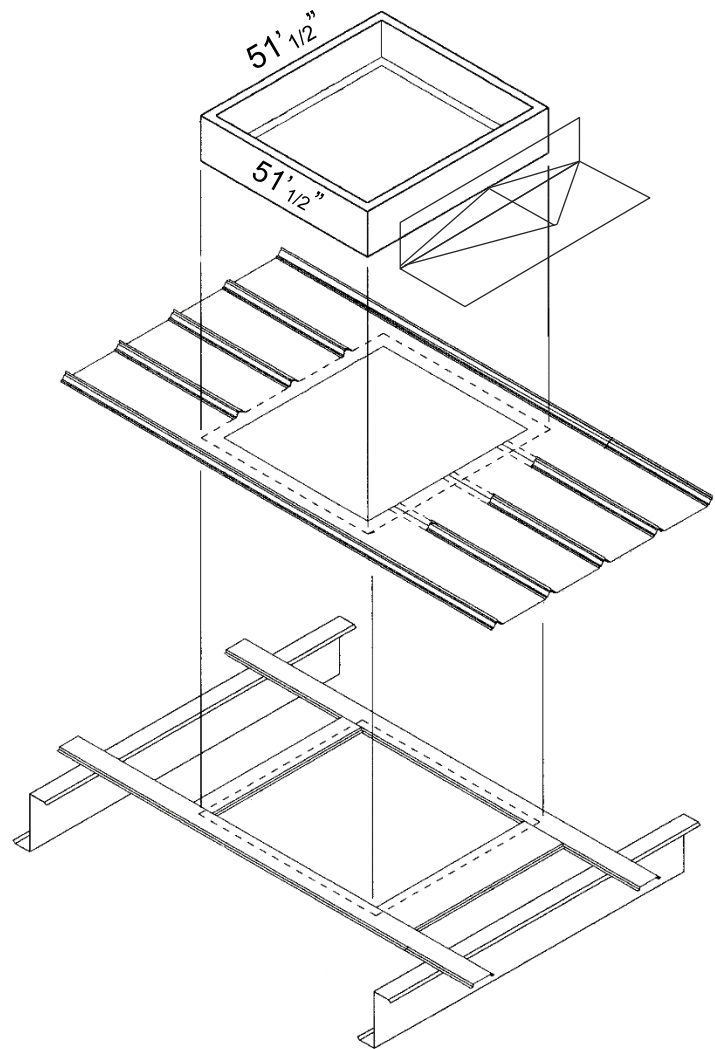
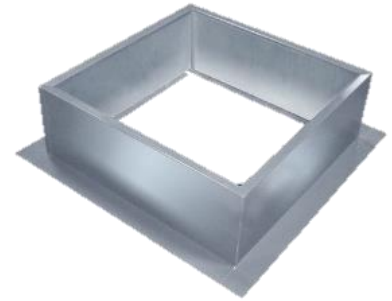


Pitched Roof Curb



Atlantic Metal
Roofing Product LLC



Roof Curb fits between the building roof and the fan mounted directly to the roof support structure – Constructed of either 18 GA galvanized steel or 0.064 in. aluminum.

Designed for pitched roofs!

Atlantic Metal has the capabilities to design roof curbs for the most challenging standing seam roof applications and can correctly match your roof system. Allowing the highs to fit under the roof panel on the upslope and over the roof panel on the downslope to create a continuous water flow is critical to the function of the roof curb.

300 Penn Ave, Levittown, PA 19057
atlanticmetalbendsllc@gmail.com
www.metalbends.com (215) 942-43-30

